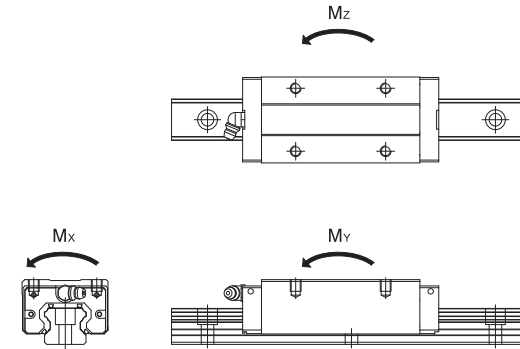
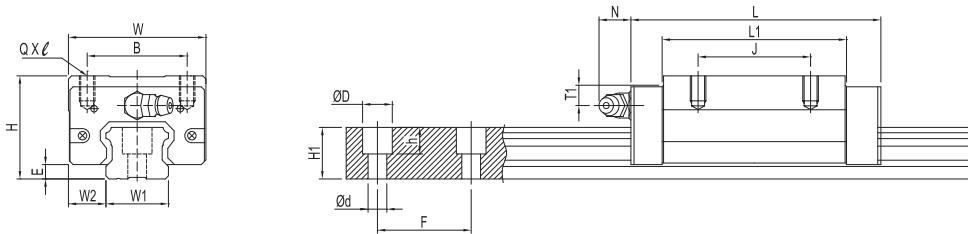


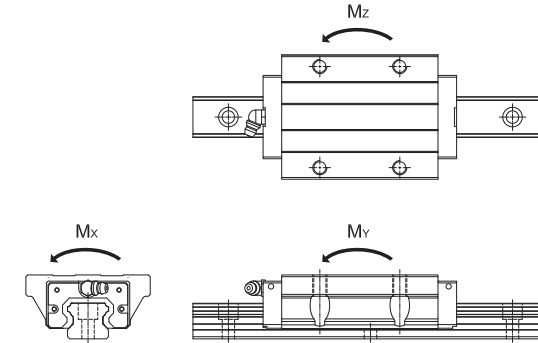
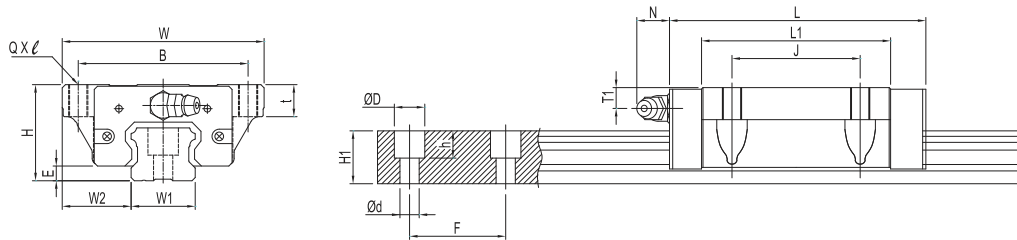
TRH - V Series Dimension Table



Model No.	Assembly(mm)			Block(mm)									Rail(mm)						
	H	W2	E	W	B	J	L	L1	QXl	T1	Oil Hole	N	W1	H1	ØD	h	Ød	F	
TRH15VN	28	9.5	3.2	34	26	26	55.9	39.5	M4X5	9.5	M4X0.7	7	15	13	7.5	6	4.5	60	
TRH15VL							64.4	48											
TRH20VN	30	12	4.6	44	32	36	74	54	M5X5	6.5	M6X1	14	20	16.5	9.5	8.5	6	60	
TRH20VL							79	59											
TRH20VE							50	98											
TRH25VN	40	12.5	5.8	48	35	35	80	59	M6X8	11.5	M6X1	14	23	20	11	9	7	60	
TRH25VL							92	71											
TRH25VE							50	109											88
TRH30VN	45	16	7	60	40	40	95.3	69.3	M8X10	11	M6X1	14	28	23	14	12	9	80	
TRH30VL							106	80											
TRH30VE							60	131											105
TRH35VN	55	18	7.5	70	50	50	108	79	M8X10	15	M6X1	14	34	26	14	12	9	80	
TRH35VL							122	93											
TRH35VE							72	152											123
TRH45VL	70	20.5	8.9	86	60	60	140	106	M10X15	20.5	PT1/8	12.5	45	32	20	17	14	105	
TRH45VE						80	174	140											
TRH55VL	80	23.5	13	100	75	75	163	118	M12X18	21	PT1/8	12.5	53	44	23	20	16	120	
TRH55VE						95	201.1	156.1											
TRH65VL	90	31.5	14	126	76	70	197	147	M16X20	19	PT1/8	12.5	63	53	26	22	18	150	
TRH65VE						120	256.5	206.5											

Model No.	Rating Load (kgf)		Static permissible moment of load					Weight	
	C	Co	Mx(kgf-mm)	My(kgf-mm)		Mz(kgf-mm)		Block (kg)	Rail (kg/m)
			Single Block	Single Block	Double Block	Single Block	Double Block		
TRH15VN	1206	2206	16,436	14,884	70,960	14,884	70,960	0.13	1.32
TRH15VL	1343	2574	19,175	20,429	95,224	20,429	95,224	0.2	
TRH20VN	2050	3696	37,334	33,268	157,298	33,268	157,298	0.26	2.28
TRH20VL	2125	3891	39,299	36,965	176,924	36,965	176,924	0.29	
TRH20VE	2553	5058	51,089	63,229	284,163	63,229	284,163	0.38	
TRH25VN	2581	4503	52,239	43,407	207,324	43,407	207,324	0.54	3.17
TRH25VL	2875	5254	60,945	59,579	277,678	59,579	277,678	0.55	
TRH25VE	3248	6255	72,554	85,112	391,311	85,112	391,311	0.68	
TRH30VN	3807	6483	90,722	74,970	355,321	74,970	355,321	0.76	4.54
TRH30VL	4098	7203	100,803	93,100	438,966	93,100	438,966	0.85	
TRH30VE	4791	9004	126,003	147,000	677,068	147,000	677,068	1.12	
TRH35VN	5090	8346	142,722	106,070	519,799	106,070	519,799	1.31	6.27
TRH35VL	5502	9328	159,512	133,367	656,509	133,367	656,509	1.52	
TRH35VE	6667	12274	209,885	233,977	1,070,533	233,977	1,070,533	2	
TRH45VL	7572	12808	292,657	220,751	1,030,183	220,751	1,030,183	2.7	10.4
TRH45VE	8852	16010	365,821	348,554	1,598,703	348,554	1,598,703	3.58	
TRH55VL	14703	21613	571,342	411,729	2,019,184	411,729	2,019,184	3.60	16.1
TRH55VE	17349	27377	723,699	670,530	3,148,637	670,530	3,148,637	4.70	
TRH65VL	22526	31486	973,074	695,840	3,594,277	695,840	3,594,277	7.76	
TRH65VE	27895	42731	1,320,601	1,307,568	6,312,759	1,307,568	6,312,759	11.15	22.54

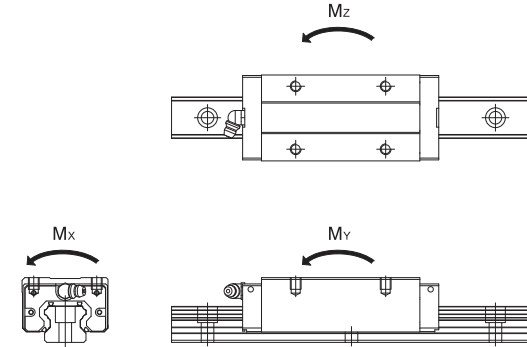
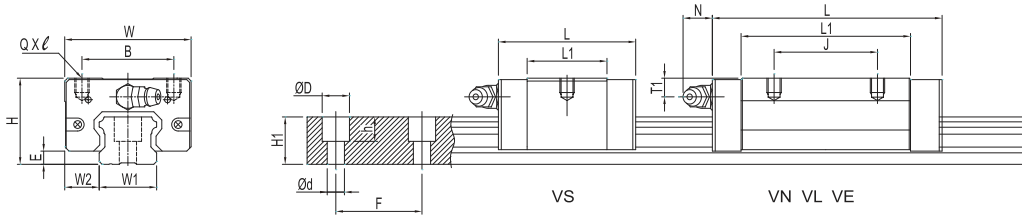
TRH - F Series Dimension Table



Model No.	Assembly(mm)			Block(mm)										Rail(mm)						
	H	W2	E	W	B	J	t	L	L1	QXℓ	T1	Oil Hole	N	W1	H1	φD	h	φd	F	
TRH15FN								55.9	39.5											
TRH15FL	24	16	3.2	47	38	30	8	64.4	48	M5X8	5.5	M4X0.7	7	15	13	7.5	6	4.5	60	
TRH15FE								79.4	63											
TRH20FN								74	54											
TRH20FL	30	21.5	4.6	63	53	40	10	79	59	M6X10	6.5	M6X1	14	20	16.5	9.5	8.5	6	60	
TRH20FE								98	78											
TRH25FN								80	59											
TRH25FL	36	23.5	5.8	70	57	45	12	92	71	M8X12	7.5	M6X1	14	23	20	11	9	7	60	
TRH25FE								109	88											
TRH30FN								95.3	69.3											
TRH30FL	42	31	7	90	72	52	15	106	80	M10X15	8	M6X1	14	28	23	14	12	9	80	
TRH30FE								131	105											
TRH35FN								108	79											
TRH35FL	48	33	7.5	100	82	62	15	122	93	M10X15	8	M6X1	14	34	26	14	12	9	80	
TRH35FE								152	123											
TRH45FL	60	37.5	8.9	120	100	80	18	140	106	M12X18	10.5	PT1/8	12.5	45	32	20	17	14	105	
TRH45FE								174	140											
TRH55FL	70	43.5	13	140	116	95	29	163	118	M14X17	11	PT1/8	12.5	53	44	23	20	16	120	
TRH55FE								201.1	156.1											
TRH65FL	90	53.5	14	170	142	110	37	197	147	M16X23	19	PT1/8	12.5	63	53	26	22	18	150	
TRH65FE								256.5	206.5											

Model No.	Rating Load (kgf)		Static permissible moment of load					Weight		
	C	Co	Mx(kgf-mm)		My(kgf-mm)		Mz(kgf-mm)		Block (kg)	Rail (kg/m)
			Single Block	Double Block	Single Block	Double Block	Single Block	Double Block		
TRH15FN	1206	2206	16,436	14,884	70,960	14,884	70,960	0.17	1.32	
TRH15FL	1343	2574	19,175	20,429	95,224	20,429	95,224	0.2		
TRH15FE	1560	3187	23,740	31,616	145,220	31,616	145,220	0.26		
TRH20FN	2050	3696	37,334	33,268	157,298	33,268	157,298	0.36	2.28	
TRH20FL	2125	3891	39,299	36,965	176,924	36,965	176,924	0.4		
TRH20FE	2553	5058	51,089	63,229	284,163	63,229	284,163	0.53		
TRH25FN	2581	4503	52,239	43,407	207,324	43,407	207,324	0.54	3.17	
TRH25FL	2875	5254	60,945	59,579	277,678	59,579	277,678	0.62		
TRH25FE	3248	6255	72,554	85,112	391,311	85,112	391,311	0.78		
TRH30FN	3807	6483	90,722	74,970	355,321	74,970	355,321	1.31	4.54	
TRH30FL	4098	7203	100,803	93,100	438,966	93,100	438,966	1.42		
TRH30FE	4791	9004	126,003	147,000	677,068	147,000	677,068	1.77		
TRH35FN	5090	8346	142,722	106,070	519,799	106,070	519,799	1.36	6.27	
TRH35FL	5502	9328	159,512	133,367	656,509	133,367	656,509	1.58		
TRH35FE	6667	12274	209,885	233,977	1,070,533	233,977	1,070,533	2.11		
TRH45FL	7572	12808	292,657	220,751	1,030,183	220,751	1,030,183	2.66	10.4	
TRH45FE	8852	16010	365,821	348,554	1,598,703	348,554	1,598,703	3.55		
TRH55FL	14703	21613	571,342	411,729	2,019,184	411,729	2,019,184	3.62		
TRH55FE	17349	27377	723,699	670,530	3,148,637	670,530	3,148,637	4.71	16.1	
TRH65FL	22526	31486	973,074	695,840	3,594,277	695,840	3,594,277	7.96		
TRH65FE	27895	42731	1,320,601	1,307,568	6,312,759	1,307,568	6,312,759	11.35		

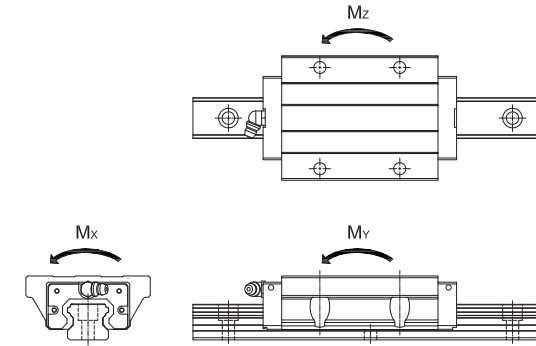
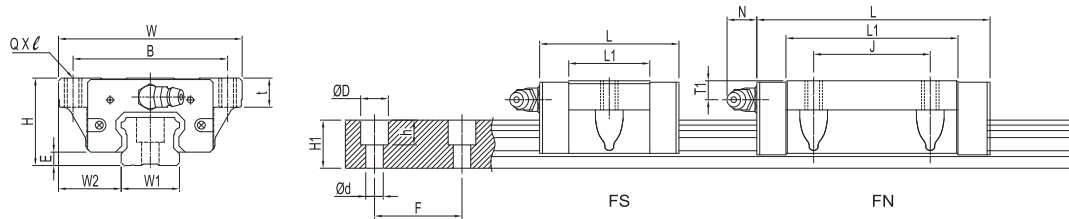
TRS - V Series Dimension Table



Model No.	Assembly(mm)			Block(mm)									Rail(mm)						
	H	W2	E	W	B	J	L	L1	QXl	T1	Oil Hole	N	W1	H1	φD	h	φd	F	
TRS15VS							39.3	22.9											
TRS15VN	24	9.5	3.2	34	26	26	55.9	39.5	M4X5	5.5	M4X0.7	7	15	13	7.5	6	4.5	60	
TRS15VL						26	64.4	48											
TRS15VE						34	79.4	63											
TRS20VS	28	11	4.6	42	32		47.8	27.8	M5X5	4.5	M6X1	14	20	16.5	9.5	8.5	6	60	
TRS20VN						32	66.7	46.7											
TRS25VS	33	12.5	5.8	48	35		56.2	35.2	M6X6	4.5	M6X1	14	23	20	11	9	7	60	
TRS25VN						35	80	59											
TRS30VS	42	16	7	60	40		66.4	40.4	M8X8	8	M6X1	14	28	23	14	12	9	80	
TRS30VN						40	95.3	69.3											
TRS30VL						40	106	80											
TRS30VE						60	131	105											
TRS35VS	48	18	7.5	70	50		74.7	45.7	M8X8	8	M6X1	14	34	26	14	12	9	80	
TRS35VN						50	108	79											
TRS35VL						50	122	93											
TRS35VE						72	152	123											
TRS45VN	60	20.5	8.9	86	60		60	124.5	90.5	M10X15	10.5	PT1/8	12.5	45	32	20	17	14	105
TRS45VL						60	140	106											
TRS45VE						80	174	140											

Model No.	Rating Load (kgf)		Static permissible moment of load					Weight		
	C	Co	Mx(kgf-mm)		My(kgf-mm)		Mz(kgf-mm)		Block (kg)	Rail (kg/m)
			Single Block	Double Block	Single Block	Double Block	Single Block	Double Block		
TRS15VS	908	1471	10,957	6,420	33,531	6,420	33,531	0.07	1.32	
TRS15VN	1206	2206	16,436	14,884	70,960	14,884	70,960	0.13		
TRS15VL	1343	2574	19,175	20,429	95,224	20,429	95,224	0.15		
TRS15VE	1560	3187	23,740	31,616	145,220	31,616	145,220	0.2	2.28	
TRS20VS	1398	2140	21,615	10,700	59,798	10,700	59,798	0.11		
TRS20VN	1896	3307	33,404	26,459	126,998	26,459	126,998	0.18		
TRS25VS	1943	3002	34,826	18,725	97,890	18,725	97,890	0.18	3.17	
TRS25VN	2581	4503	52,239	43,407	207,324	43,407	207,324	0.3		
TRS30VS	2697	3962	55,442	26,950	154,224	26,950	154,224	0.37		
TRS30VN	3807	6483	90,722	74,970	355,321	74,970	355,321	0.65	4.54	
TRS30VL	4098	7203	100,803	93,100	438,966	93,100	438,966	0.74		
TRS30VE	4791	9004	126,003	147,000	677,068	147,000	677,068	0.97		
TRS35VS	3753	5401	92,349	42,896	235,304	42,896	235,304	0.57	6.27	
TRS35VN	5090	8346	142,722	106,070	519,799	106,070	519,799	0.98		
TRS35VL	5502	9328	159,512	133,367	656,509	133,367	656,509	1.16		
TRS35VE	6667	12274	209,885	233,977	1,070,533	233,977	1,070,533	1.54	10.4	
TRS45VN	6758	10887	248,758	158,011	782,271	158,011	782,271	1.71		
TRS45VL	7572	12808	292,657	220,751	1,030,183	220,751	1,030,183	1.99		
TRS45VE	8852	16010	365,821	348,554	1,598,703	348,554	1,598,703	2.64		

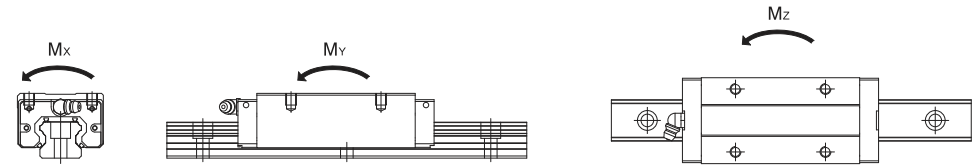
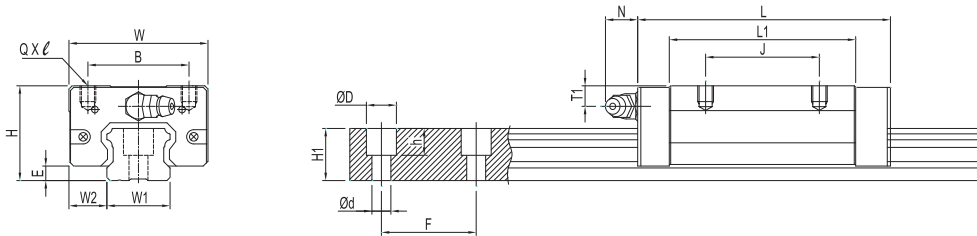
TRS - F Series Dimension Table



Model No.	Assembly(mm)			Block(mm)										Rail(mm)					
	H	W2	E	W	B	J	t	L	L1	QXℓ	T1	Oil Hole	N	W1	H1	φD	h	φd	F
TRS15FS	24	18.5	3.2	52	41	26	7	39.3	22.9	M5X7	5.5	M4X0.7	7	15	13	7.5	6	4.5	60
TRS15FN								55.9	39.5										
TRS20FS	28	19.5	4.6	59	49	32	9	47.8	27.8	M6X9	4.5	M6X1	14	20	16.5	9.5	8.5	6	60
TRS20FN								66.7	46.7										
TRS25FS	33	25	5.8	73	60	35	10	56.2	35.2	M8X10	4.5	M6X1	14	23	20	11	9	7	60
TRS25FN								80	59										
TRS30FS	42	31	7	90	72	40	10	66.4	40.4	M10X10	8	M6X1	14	28	23	14	12	9	80
TRS30FN								95.3	69.3										
TRS35FS	48	33	7.5	100	82	50	13	74.7	45.7	M10X13	8	M6X1	14	34	26	14	12	9	80
TRS35FN								108	79										
TRS45FN	60	37.5	8.9	120	100	60	15	124.5	90.5	M12X15	10.5	PT1/8	12.5	45	32	20	17	14	105

Model No.	Rating Load (kgf)		Static permissible moment of load					Weight	
	C	Co	Mx(kgf-mm)	My(kgf-mm)		Mz(kgf-mm)		Block (kg)	Rail (kg/m)
			Single Block	Single Block	Double Block	Single Block	Double Block		
TRS15FS	908	1471	10,957	6,420	33,531	6,420	33,531	0.098	1.32
TRS15FN	1206	2206	16,436	14,884	70,960	14,884	70,960	0.17	
TRS20FS	1398	2140	21,615	10,700	59,798	10,700	59,798	0.15	2.28
TRS20FN	1896	3307	33,404	26,459	126,998	26,459	126,998	0.24	
TRS25FS	1943	3002	34,826	18,725	97,890	18,725	97,890	0.26	3.17
TRS25FN	2581	4503	52,239	43,407	207,324	43,407	207,324	0.44	
TRS30FS	2697	3962	55,442	26,950	154,224	26,950	154,224	0.52	4.54
TRS30FN	3807	6483	90,722	74,970	355,321	74,970	355,321	0.88	
TRS35FS	3753	5401	92,349	42,896	235,304	42,896	235,304	0.76	6.27
TRS35FN	5090	8346	142,722	106,070	519,799	106,070	519,799	1.31	
TRS45FN	6758	10887	248,758	158,011	782,271	158,011	782,271	2.18	10.35

TRC - V Series Dimension Table



Model No.	Assembly(mm)			Block(mm)									Rail(mm)					
	H	W2	E	W	B	J	L	L1	QXl	T1	Oil Hole	N	W1	H1	φD	h	φd	F
TRC25VL	36	12.5	5.8	48	35	35	92	71	M6X6.5	7.5	M6X1	14	23	20	11	9	7	60
TRC25VE						50	109	88										

Model No.	Rating Load (kgf)		Static permissible moment of load					Weight	
	C	Co	My(kgf-mm)			Mz(kgf-mm)		Block (kg)	Rail (kg/m)
			Mx(kgf-mm)	Single Block	Double Block	Single Block	Double Block		
TRC25VL	2875	5254	60,945	59,579	277,678	59,579	277,678	0.44	3.17
TRC25VE	3248	6255	72,554	85,112	391,311	85,112	391,311	0.55	